

SSN4D SERIES ENCLOSURES NEMA 4X TWO DOOR FLOOR-MOUNT



SSN4D624812

Industry Standards

UL 508, Types 4, 4X, & 12
CSA Certified, Type 4, & 12
NEMA/EEMAC Types 4, 4X, & 12

 UL File E64791

 CSA File LL66078

FEATURES-SPECIFICATIONS

Applications

This two door enclosure provides industry leading protection for systems incorporating large components or complex mounting configurations in highly corrosive environments. It is typically used in the following areas: food processing plants, pharmaceutical manufacturing facilities, petrochemical plants, pulp and paper processing, and waste water treatment facilities.

Construction

- Bodies and doors fabricated from 12 gauge 304 stainless steel
- Continuously welded seams ground smooth, less knockouts or holes
- X-type body stiffeners are added for extra strength

- Rolled lip around three sides of door and along top of enclosures opening excludes liquids and contaminants from entering
- Quick and easy to operate stainless steel door clamps around three sides of doors are provided
- Heavy gauge stainless steel continuous hinges are provided
- Doors are removable by pulling stainless steel continuous hinge pin
- Hasp and staple are provided for padlocking
- Print pocket is provided
- Standard 12" high floor kits are welded to bottom of enclosure
- Heavy duty removable lifting eyes

- Collar studs for mounting optional panels
- Easily removable center post permits easy panel installations
- Doors are sealed with closed cell oil resistant neoprene gasket
- Grounding provisions provided

Finish

- Enclosures have a smooth grained finish on all exterior surfaces
- **Optional** back panels are white polyester powder over phosphatized surfaces

Accessories

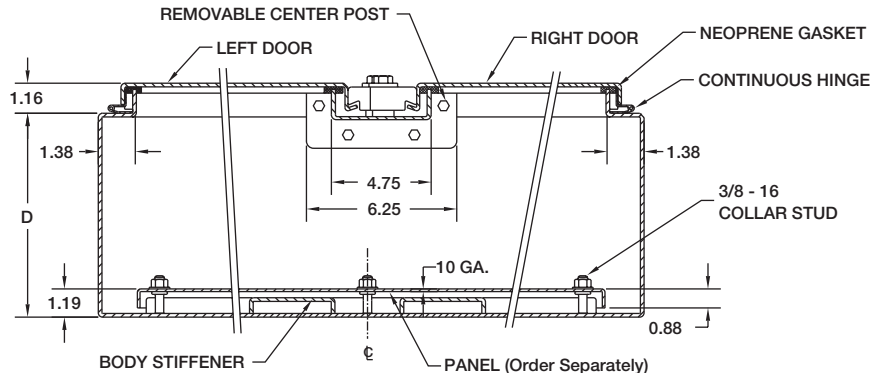
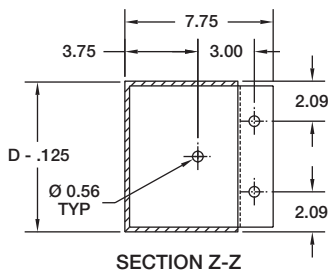
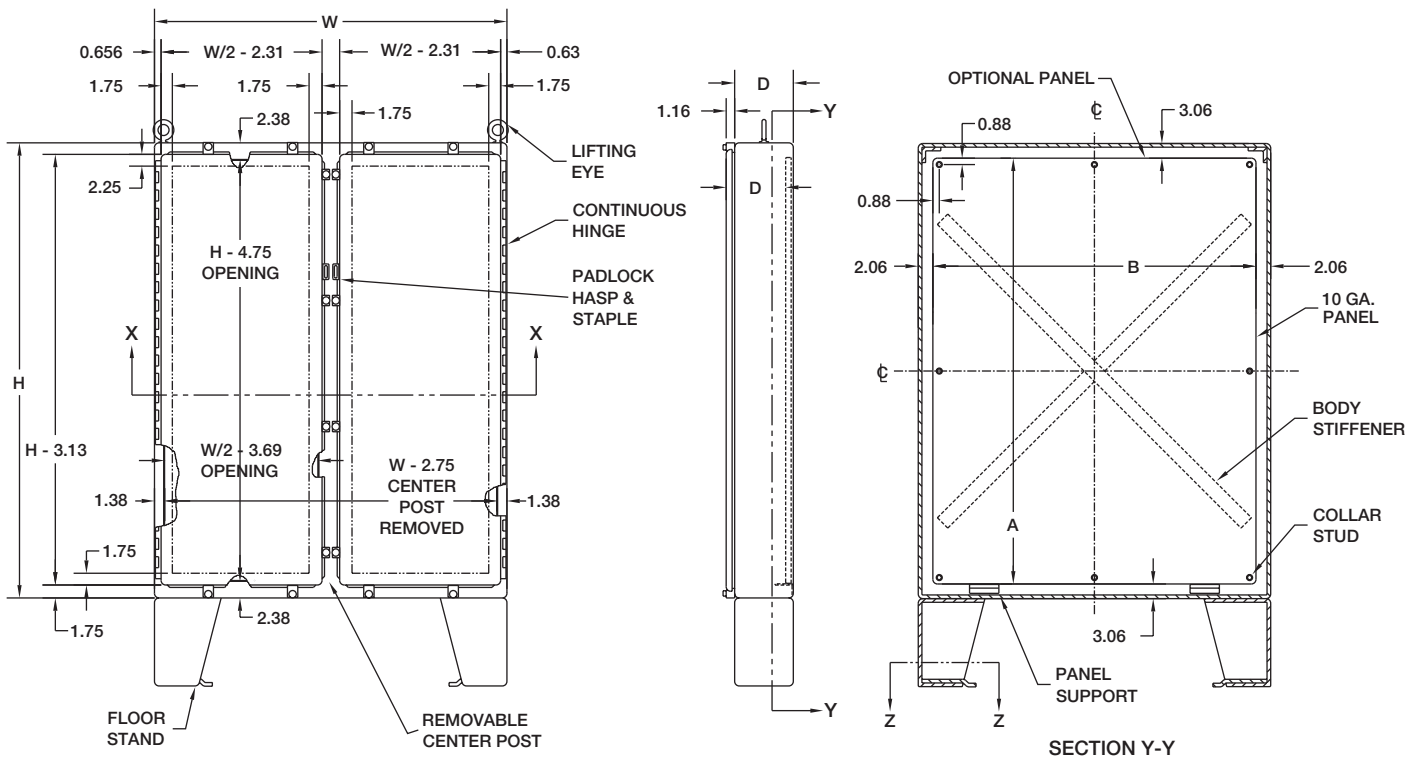
- Back panels (reference tables)
- See pages J1-J19

SSN4D SERIES TWO DOOR STAINLESS ENCLOSURES				
CATALOG NUMBER	BODY/DOOR STEEL GAUGE	ENCLOSURE SIZE W X H X D	BACK PANEL CATALOG NUMBER*	BACK PANEL SIZE A X B
SSN4D624812	12/12	62.12x48.12x12.12 (1578x1222x308)	NPDD6048	56.00x44.00 (1422x1118)
SSN4D626012	12/12	62.12x60.12x12.12 (1578x1527x308)	NPDD6060	56.00x56.00 (1422x1422)
SSN4D747212	12/12	74.12x72.12x12.12 (1883x1832x308)	NPDD7272	68.00x68.00 (1727x1727)
SSN4D747224	12/12	74.12x72.12x24.12 (1883x1832x613)	NPDD7272	68.00x68.00 (1727x1727)

*Back panels must be ordered separately.



WIEGMANN®



SECTION X-X
NOT TO SCALE



NPDD4242

FEATURES-SPECIFICATIONS

Description

- Steel panels are fabricated from 10 gauge carbon steel
- Panels are painted with a white polyester powder
- Panels are used in NEMA 12 double door floor-mounted enclosures and some 2-door wall-mount enclosures

BACK PANELS FOR DOUBLE DOOR FLOOR-MOUNTED ENCLOSURES	
CATALOG NUMBER PAINTED STEEL (WHITE)	PANEL SIZE A X B
NPDD4242	39.00x39.00 (991x991)
NPDD4260	38.00x56.00 (965x1422)
NPDD4842	45.00x39.00 (1143x991)
NPDD4848	44.00x44.00 (1118x1118)
NPDD5442	50.00x38.00 (1270x965)
NPDD6048	44.00x56.00 (1118x1422)
NPDD6060	56.00x56.00 (1422x1422)
NPDD7260	56.00x68.00 (1422x1727)
NPDD7272	68.00x68.00 (1727x1727)

